

Dynell®

The power league.

DMC 400

400 HZ
Connectors



Ground Support



dynell.at

400 HZ connector

The Dynell 400 Hz connector sets new standards. Extra-large connection spaces reduce installation time to a minimum. High-quality materials ensure extreme longevity of the wear parts. The unrivalled service-friendly design reduces maintenance and saves valuable time and money.

01 — User Friendly



The Dynell 400 Hz connector fits all common 400 Hz cables. The most important operation states of the GPU can be easily checked through the optional LED status display. Four different buttons allow easy control and an optional temperature sensor inside the power contacts protects the connector against overheating.

02 — Easy service

Extremely fast interchangeability of wear parts (e.g. nose, wear protection) and the two-part contacts keep maintenance time short. The extra-large connection space allows the assembly of the main wires before potting. The Dynell 400 Hz connector has two separate connection areas for easy replacement of the buttons and LEDs.



03 — High grade materials

Using high-grade materials, the Dynell 400 Hz connector shows extreme abrasion and chemical resistance as well as improved mechanical, thermal and chemical properties. For optimum conductivity and extreme corrosion resistance, the silver-plated contacts of the connector are made of CuTeP.

Freely configurable



Housing colours

Yellow
(Standard)



Black



Blue



DMC 400 — 400 HZ Connectors

DMC 400 ——— 400 HZ Connectors



Servicefriendly design

Flexible configuration of the control elements (8 different combinations possible):

Contact sleeves in 35, 50, 70 mm²



all functions



Power ON/OFF
Cable IN/OUT



LED-status
Cable IN/OUT



blank
Cable IN/OUT



Power ON/OFF
+ LED blank



Power ON/OFF
blank



LED-status
blank










blank
blank

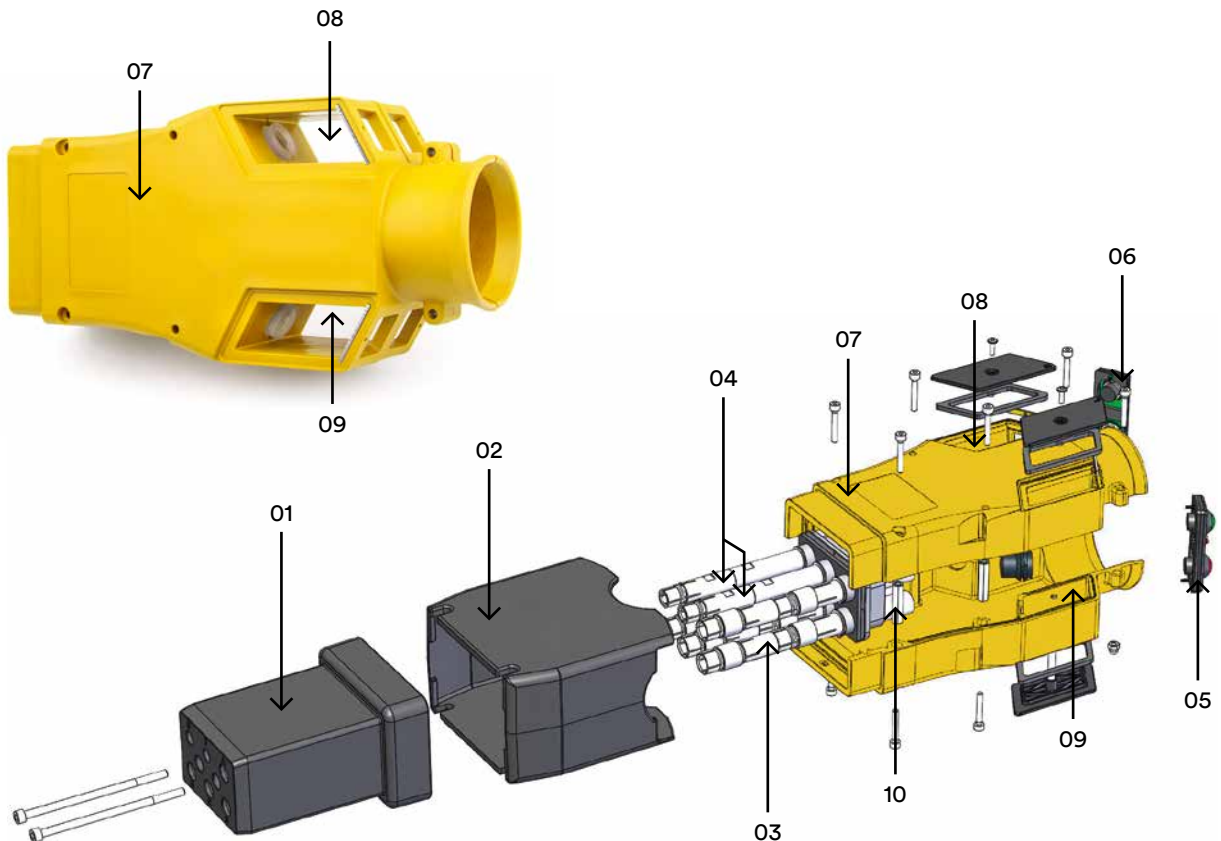
28 V	E / F release
Pilot	90 % contact
Power	400 HZ supply



Interchangeability

Main parts

-  01 nose-part
 -  02 wear protection
 -  03 divided contact sleeves (silver-plated)
 -  04 90° micro-switch (in all versions included)
 -  05 push-button "Power ON/OFF" and LED-status
 -  06 push-button "Cable IN/OUT"
 - 07 housing
 - 08 large separate connection area for push-buttons "Cable IN/OUT" (non potted)
 - 09 large separate connection area for push-buttons "Power ON/OFF" and LED-status (non potted)
 - 10 metal screwed connection – metal against metal
-  interchangeable

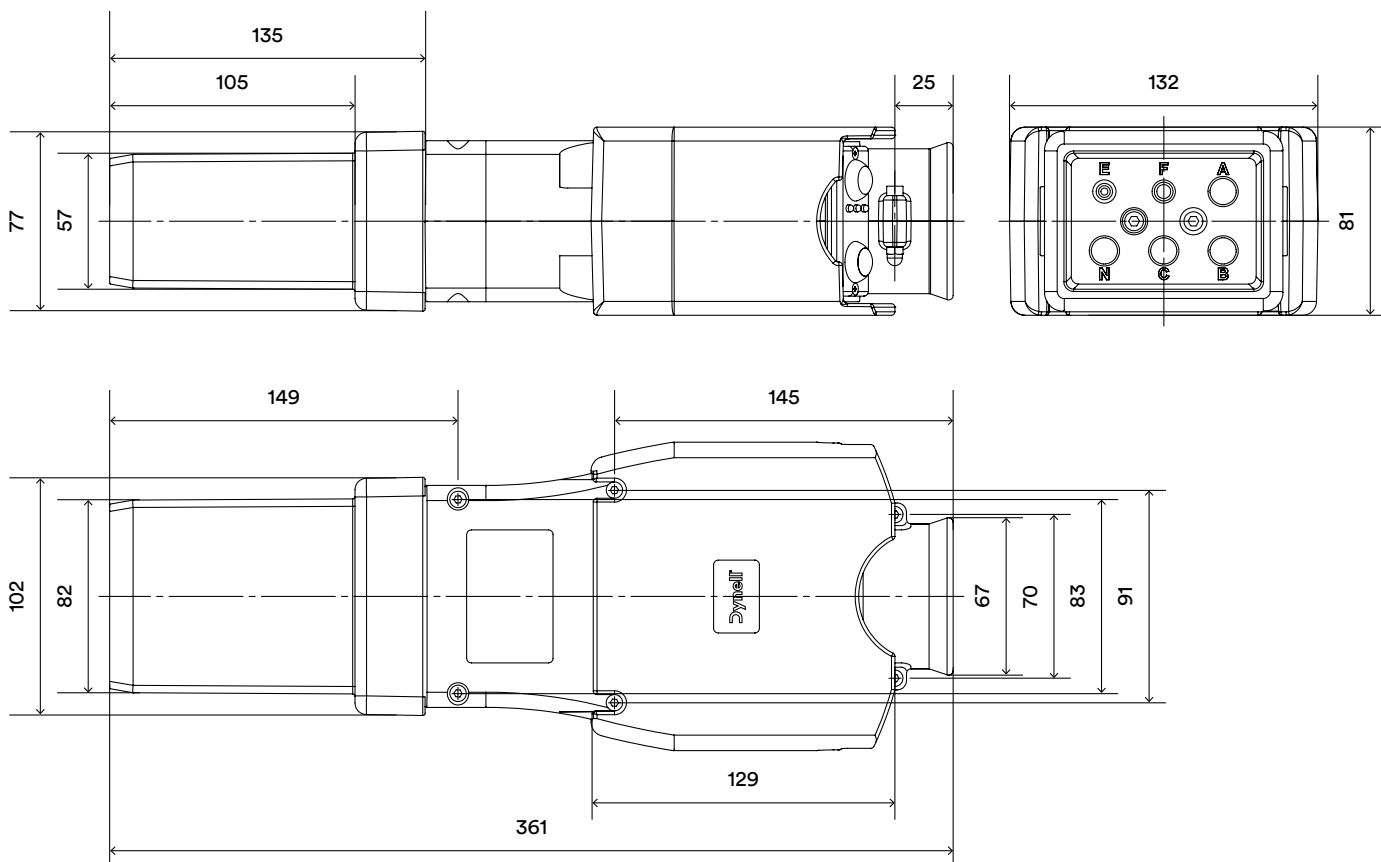


Specifications

400 HZ connector, DMC 400

Rated voltage	115/200 V, 400 Hz
Dielectric strength	4 kV
Safety	90% micro switch
IP protection	IP 66 for non-potted connection area of the controls
Weight	3,5 kg (with potting material)
ISO 461	Plug- and pull-of forces acc. ISO 461-1 Tested acc. ISO 461-1 Dimensions acc. ISO 461-2

DMC 400 — 400 HZ Connectors



**Based on a balanced mix of knowledge,
experience and innovation, we design, build,
distribute and maintain aviation ground support
and charging equipment around the globe.
Our ground-breaking ideas generate the greatest
possible customer value for future markets.**

Dynell GmbH
Mistelbacher Str. 17
4613 Mistelbach bei Wels, Austria
+43 7243 21821-0
office@dynell.at

Dynell[®]
The power league.

dynell.at